

MODEL: KLS3-YS02A-28MM-8R1W & KLS3-YS02B-28MM-8R1W | **DESCRIPTION:** SPEAKER

FEATURES

- 28 mm round frame
- 8 Ω impedance
- rated 1.0 W
- neodymium magnet
- paper cone



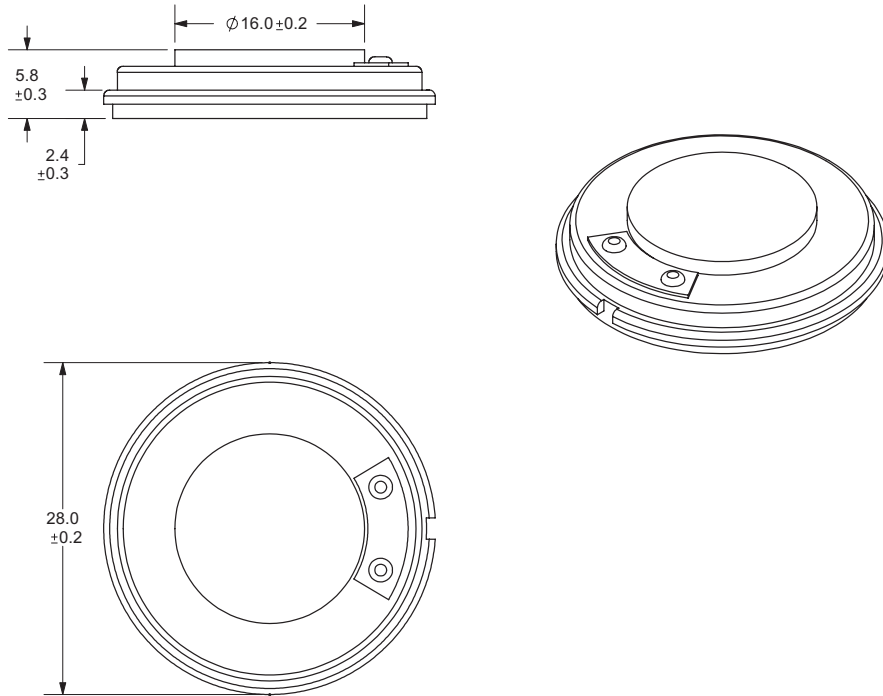
SPECIFICATIONS

parameter	conditions/description	min	typ	max	units
input power			1.0	1.5	W
impedance	at 1 kHz, 1 V	6.8	8	9.2	Ω
resonant frequency (Fo)	at Fo, 1 V	440	550	660	Hz
frequency response		Fo		20,000	Hz
sound pressure level	at 1.0 W, 50 cm, avg at 0.1W/0.1M at 1.0K,1.2K,1.5 kHz	83	87	89	dB
buzz, rattle, etc.	must be normal at sine wave, frequency range			2.83	V
dimensions	$\varnothing 28.0 \times 5.8$				mm
magnet	Nd-Fe-B				
cone material	paper				
terminal	solder pads				
weight			6.7		g
operating temperature		-25		70	$^{\circ}\text{C}$
hand soldering	for maximum 3 seconds	340	350	360	$^{\circ}\text{C}$
RoHS	yes				

MODEL: KLS3-YS02A-28MM-8R1W & KLS3-YS02B-28MM-8R1W | **DESCRIPTION:** SPEAKER

MECHANICAL DRAWING

units: mm



FREQUENCY RESPONSE CURVE

parameter	conditions/description
potentiometer range	50 dB
rectifier	RMS
lower limit frequency	20 Hz
wr. speed	100 mm/sec
zero level	60 dB

